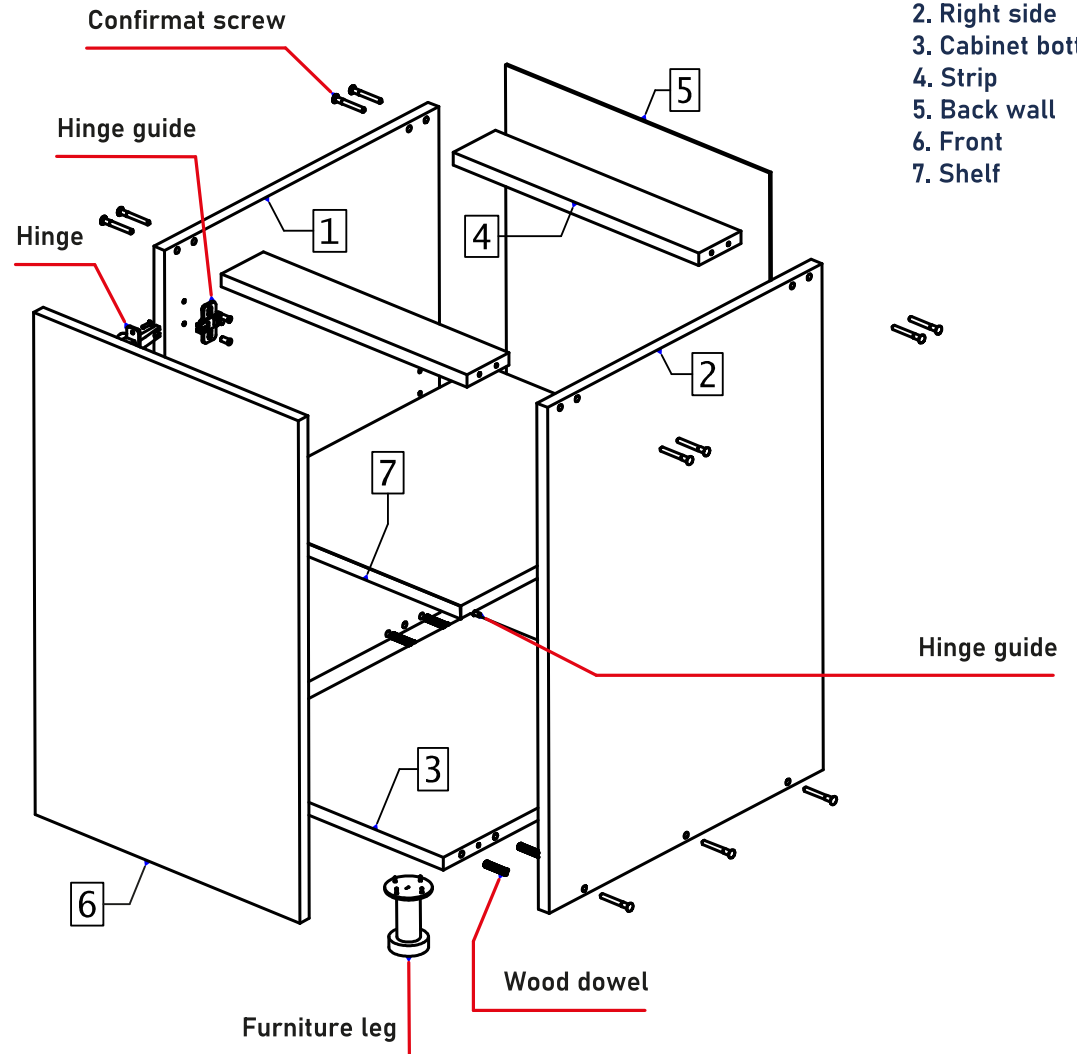
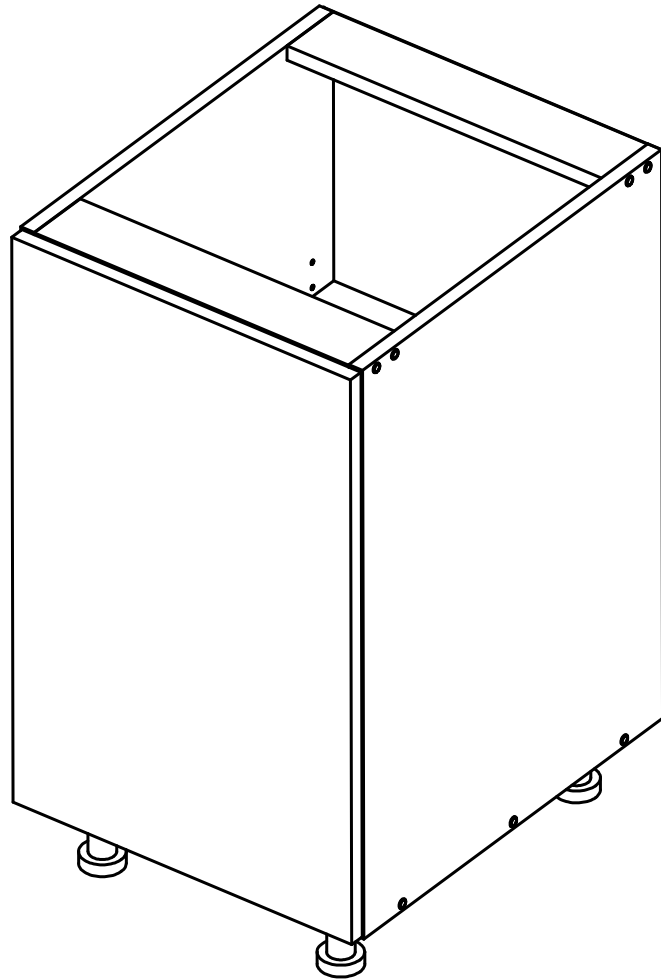
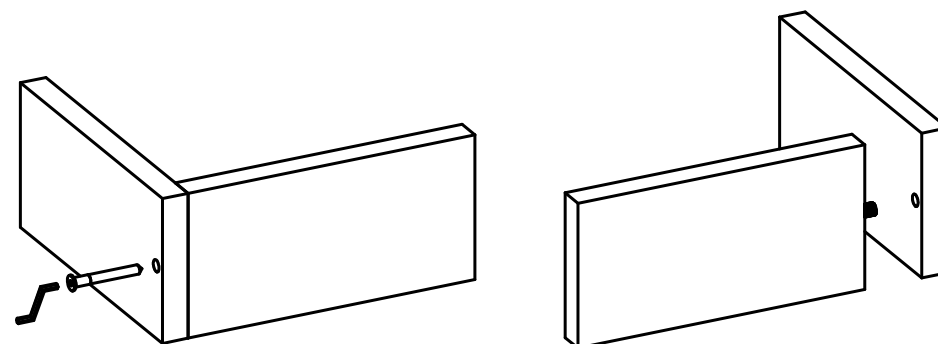
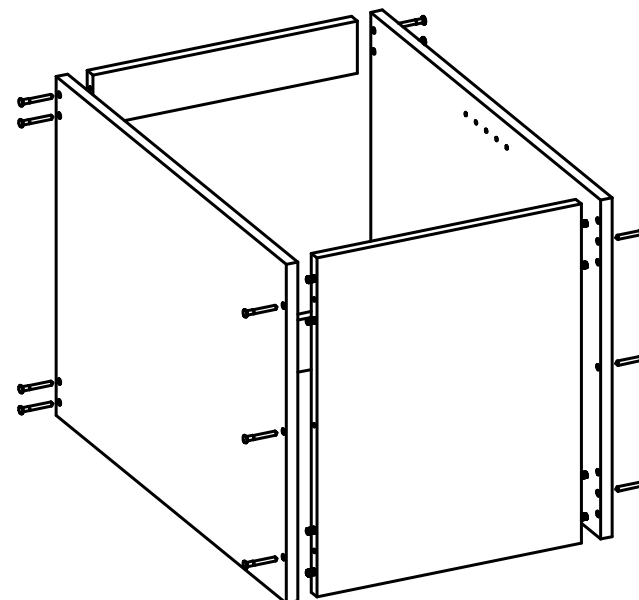
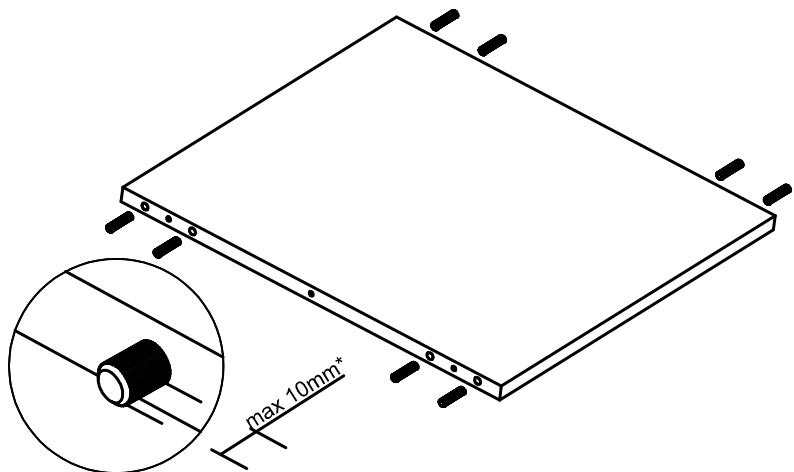
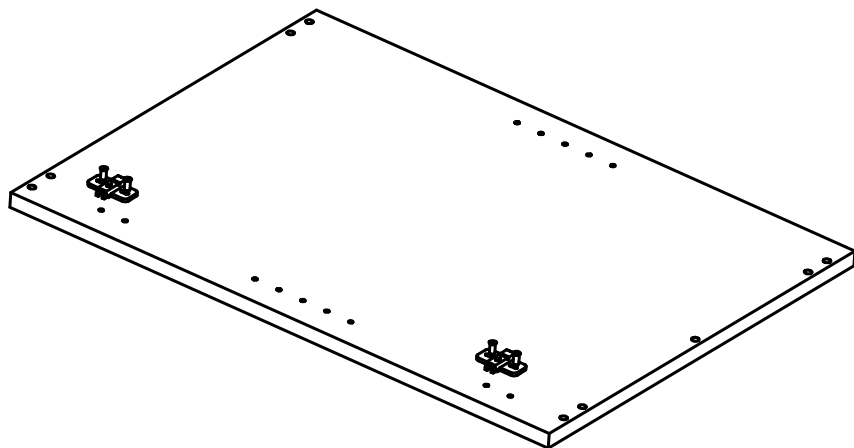




STANDARD BASE CABINET
assembled with the use of
confirmats



1. Left side
2. Right side
3. Cabinet bottom panel
4. Strip
5. Back wall
6. Front
7. Shelf



* The length of the wood dowel part projecting from an element should not exceed 10mm.

